

# TYPHOON<sup>®</sup>

## CLEAR THE ROAD



**Equipment Dimensions** ▲  
pp. 03

**Specifications** ▲  
pp.03

**Wiring Diagram** ▲  
pp.04





# SAFETY REGULATIONS & WARRANTY

## Safety Regulations

The following provides all the information necessary to safely operate the previously listed products of Feniex Industries, Inc. Please read this manual thoroughly before installing or operating your new product in order to prevent any damage or injury. Failure to follow the listed instructions in this manual may result in damage to your products or personal injury.

- Proper installation of this product requires good knowledge of automotive systems, electronics and procedures.
- Please guarantee all vital components of the vehicle are not in danger of being damaged by drilling holes necessary for installation. Check all sides of the mounting surface before drilling any holes into the vehicle.
- Do not install this product in any way that interferes with the deployment of the air bag. Doing so may damage the effectiveness of the air bag and can lead to serious personal and vehicle injury. The installer will assume full responsibility of proper installation of the new unit.
- Please clean the mounting surface before installation of the unit when using tape, brackets, magnet, Velcro or suction cups.
- The product's ground wire must be connected directly to the Negative (-) battery post for effective use of the unit. Please follow all wiring guidelines provided to guarantee long lifespan and productivity. Failing to follow these instructions may result in damage to the product.

## Warranty

Feniex Industries, Inc. warranties to the original purchaser that all our products shall be free from defects in material and workmanship. Feniex Industries' speakers, sirens, rocker panels, AM600 Beacons, Torch Lights, AI lightbars, AI Cubes, AM900 Work Lights, 8.5" Dome Lights, flashlights, Remote Spot Lights and controllers are warranted for 2 years from the manufacturing date. In addition, all other products are warranted for 5 years from the manufacturing date.

If a warranty problem occurs, please contact customer support at 1.800.615.8350 or visit the web site at [www.Feniex.com](http://www.Feniex.com).

If the product needs to be returned for repair or replacement, call our customer support line to receive a return merchandise authorization number.

Operational times are from 10 a.m. to 5 p.m. central time, Monday through Friday. Please do not send in product without contacting support first for a RMA number.

## Service After Expiration

Feniex Industries will still provide service for all products after expiration of the warranty. For any issues, call the customer support line. In some instances it may be necessary for the product to be shipped, freight prepaid and insured for loss or damage to Feniex headquarters.

**Warning!** Utilizing non-factory screws and mounting brackets may result in loss of warranty coverage.

## Copyright

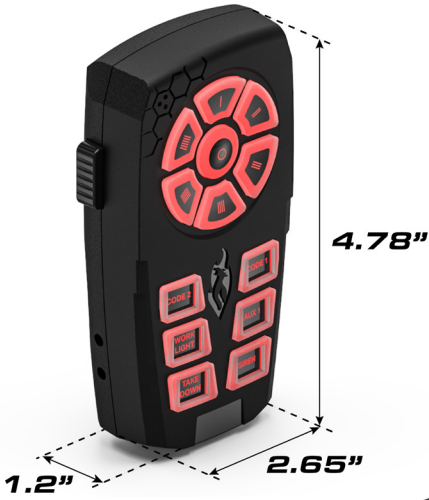
This instruction manual and the Feniex products described in this instruction manual may include or describe copyrighted Feniex material. Laws in the United States and other countries preserve for Feniex Industries and its licensors certain exclusive rights for copyrighted material, including the exclusive right to copy, reproduce in any form, distribute and make derivative works of the copyrighted material. Accordingly, any copyrighted material of Feniex and its licensors contained herein or in the Feniex products described in this instruction manual may not be copied, reproduced, distributed, merged or modified in any manner without the express written permission of Feniex Industries, Inc.

## Feniex Product Copyrights

The products described in this document are the property of Feniex Industries, Inc. It is furnished by express license agreement only and may be used only in accordance with the terms of such an agreement. Products and documentation are copyrighted materials. Making unauthorized copies is prohibited by law. No part of the product or documentation may be reproduced, transmitted, transcribed, stored in retrieval system or translated into any language or computer language, in any form or by any means, without prior permission from Feniex Industries, Inc.



## ▲ EQUIPMENT DIMENSIONS





## ▲ SPECIFICATIONS

Input Voltage	12V DC
Max Amperage	25 Amps
Standby Current	50mA
Main Fuse	30 Amps
Impedance	11 Ohms
Siren Output	100 W
Siren Voltage	35v RMS
External Fuse	125% of Circuit Load
Warranty	2 years

### ■ Important

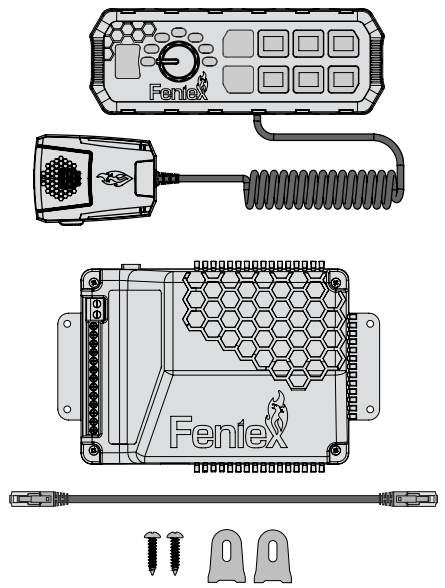
The Typhoon is capable of outputting a maximum total of 12 amps for all 6 outputs, or 2 amps divided equally across all 6 outputs. The unit will power off if that capacity is surpassed.

## ▲ DIMENSIONS

Amp Dimensions	4.84" W x 7.4" D x 2.53" H
Full Function Dimensions	6.77" W x 2.43" D x 1.21" H
Handheld Dimensions	2.64" W x 1.2" D x 4.78" H

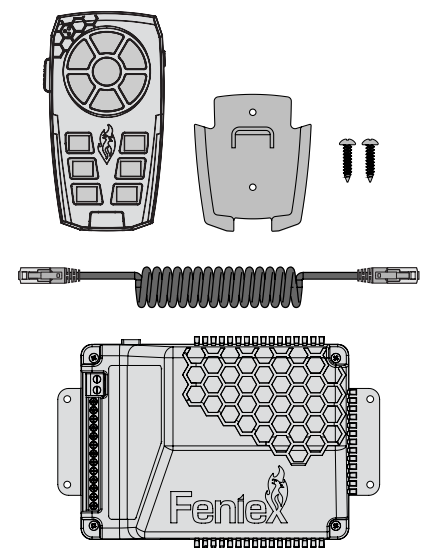
**BOX CONTENTS:**  
TYPHOON FULL FUNCTION

<i>Components</i>	<i>Qty.</i>
Typhoon Amplifier	1
Full Function Keypad+ Mic	1
Short Arm L-Bracket	2
Screws	2
Button Legends	130
RJ45 Cable	1
Microphone Clip	1



**BOX CONTENTS:**  
TYPHOON HANDHELD

<i>Components</i>	<i>Qty.</i>
Typhoon Amplifier	1
Handheld Controller + Mic	1
Microphone Nest	1
Screws	2
Button Legends	130
RJ45 Cable	1





## INTEGRATED FLASH PATTERNS

1	Single Slow
2	Single Fast
3	Single Combo
4	Triple Slow
5	Triple Fast
6	Triple Combo
7	Quad Slow
8	Quad Fast
9	Quad Combo
10	Combination 1
11	Combination 2

## FULL FUNCTION M1 & M2 TONES

1	Manual Wail
2	Ecto Siren
3	Move Out of the Way
4	Pull Over
5	Remain In Your Vehicle
6	Remain... Windows Down
7	Step Out of the Vehicle
8	Step Out with your Hands Up

## Siren Tones

User settings for siren tones are stored in keypad/handheld, not in the amplifier.

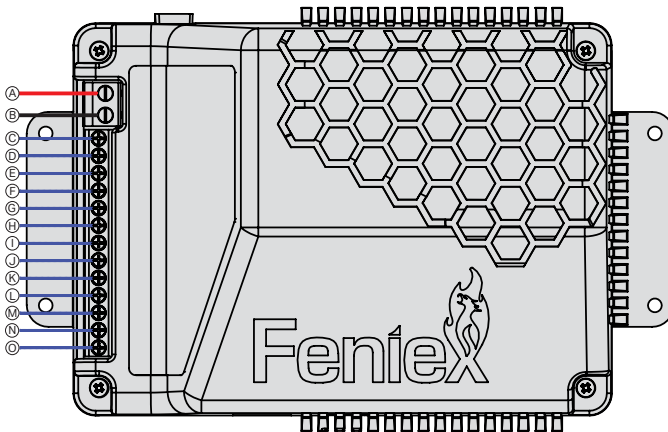
## SIREN TONES

1	Wail
2	Yelp
3	Fast Yelp
4	Phaser
5	Horn
6	Mechanical
7	Wail
8	Hi/Lo
9	P-Call (Slow)
10	P-Call (Fast)
11	Horn & Phaser
12	Horn & Yelp
13	Phaser & Yelp
14	Ecto Siren
15	Bad Boys
16	Move Out of the Way - English & Spanish
17	Pull Over - English & Spanish
18	Remain in your vehicle - English & Spanish
19	Remain... Window Down - English & Spanish
20	Step out of the vehicle - English & Spanish
21	Step Out w/Hands Up - English & Spanish
22	Test Tone
23	Italian Police
24	Italian Ambulance
25	Move Out of the Way - English Only
26	Pull Over - English Only
27	Remain in your vehicle - English Only
28	Remain... Window Down - English Only
29	Step out of the vehicle - English Only
30	Step Out w/Hands Up - English Only
31	Move Out of the Way - Spanish Only
32	Pull Over - Spanish Only
33	Remain in your vehicle - Spanish Only
34	Remain... Window Down - Spanish Only
35	Step out of the vehicle - Spanish Only
36	Step Out w/Hands Up - Spanish Only



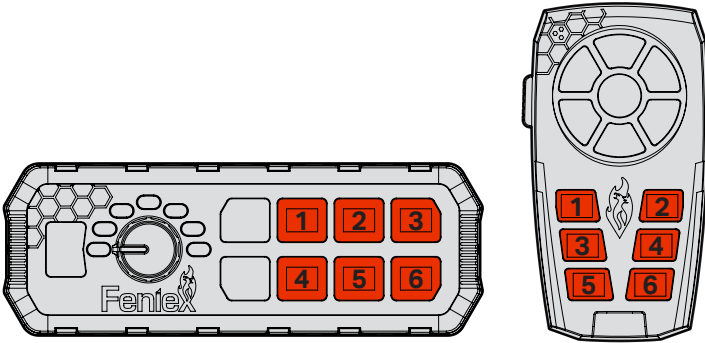
## ▲ **OUTPUTS: SIREN**

Key	Function	Polarity	Connection
A	Positive	12V+	Positive Terminal
B	Ground	12V-	Ground Terminal
C	Output #1 <sup>FC1</sup>	12V+	Latching Switch
D	Output #2 <sup>FC2</sup>	12V+	Momentary Switch
E	Output #3	12V+	Latching Switch
F	Output #4	12V+	Latching Switch
G	Output #5	12V+	Latching Switch
H	Output #6	12V+	Latching Switch
I	Airhorn Input	12V+	External Button/Horn Ring
J	Park-Kill	12V+	Signal from Vehicle BCM
K	Rebroadcast On	12V+	External Switch
L	Radio Input	N/A	Audio Output from Radio
M	Radio Input	N/A	Audio Output from Radio
N	Siren Speaker	N/A	100W Siren Speaker
O	Siren Speaker	N/A	100W Siren Speaker





## ▲ CONFIGURATION INSTRUCTIONS



### ■ Power

To power the unit, extend the red wire to a 12v (+) post. Extend the black wire to the ground post.

### ■ Latching or Momentary Buttons

**Important:** Only the buttons highlighted in red (above) can be programmed.

- 1: Press the "On/Off" button to turn the system off.
- 2: Press and hold the desired button you wish to program as momentary.
- 3: Continue holding the selected button while holding down the "On" button for 3 seconds. A beep will sound when programmed.
- 4: The button is now set as a momentary button. To reverse the function, repeat the steps above.

### ■ Activating Flasher Functionality

- 1: Press the "On/Off" button to turn the system off.
- 2: Press and hold buttons 1 and 2 simultaneously.
- 3: Continue holding buttons 1 and 2 while holding down the "On" button for 3 seconds. A beep will sound when programmed.
- 4: You have now enabled button 1 as the "On/Off" for wig-wag and the button 2 as the pattern select.  
To reverse the functionality, repeat the steps above.



## ▲ MOUNTING

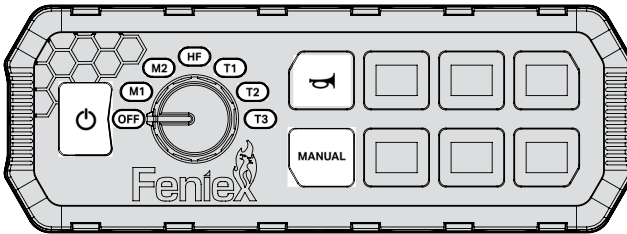
### ■ Power-up Functionality

**Auto Power-Up:** Keypad activates upon starting vehicle

**Manual Power-Up:** Keypad remains off until manually activated using power button.

**Important:** To use this functionality, the Red Wire must be connected to an ignition switched circuit capable of providing current for all 6 outputs and the siren amplifier.

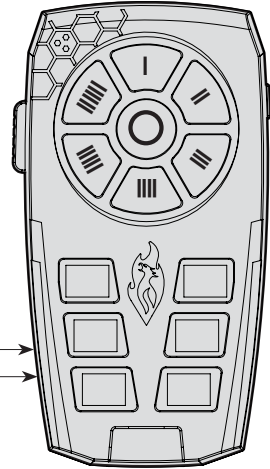
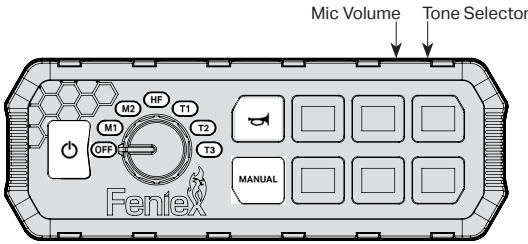
- 1: Press the "On/Off" button to turn the system off.
- 2: Press and hold the power button for 3 seconds. A beep will sound when programmed.
- 3: You have now Toggled the "Auto-On" function. To reverse the functionality, repeat the steps above.



Position	Function	Activation
OFF	Siren Off	N/A
M1	Ramp Up/Down	<b>Manual</b> [Momentary]
M2	Ramp Up/Stop	<b>Manual</b> [Momentary]
HF	Continuous	<b>Manual</b> x1 & <b>Manual</b> x2
T1	Continuous	<b>Manual</b> to switch tones
T2	Continuous	<b>Manual</b> to switch tones
T3	Continuous	<b>Manual</b> to switch tones



## ▲ CONFIGURATIONS & FEATURES INSTRUCTIONS & INFORMATION



### ■ Setting Siren Buttons to Momentary

Only the buttons highlighted in red (above) are siren functions.

- 1: With the system powered off, press and hold the desired button you wish to program as momentary.
- 2: Continue holding the selected button while holding down the "On" button until a beep is heard.
- 3: The button is now set as momentary. To reverse the function, repeat these steps.

### ■ Park Kill

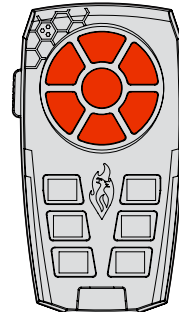
Park-Kill is used to deactivate any activated standard siren tone. Park-Kill does not deactivate audio recordings. The Park-Kill wire can be connected to your vehicle's overhead light, door trigger, or park-signal so that the siren is disabled when the door is opened or the vehicle is shifted to park.

### ■ Radio Rebroadcast & Microphone

When either Radio Rebroadcast or the Microphone is activated, any activated tone, standard siren tone or audio recording gets deactivated.

### ■ Microphone Volume

To adjust the microphone volume, locate the mic volume dial (see diagram) on the side or top of the controller. Use a small phillips-head screwdriver to adjust the volume.



### ■ Output Buttons

A siren tone can be assigned to any one of the 6 output buttons to enable along with your activation outputs. To add or remove a siren tone activate a button (1-6) and press the siren tone select button until you reach your desired outcome.

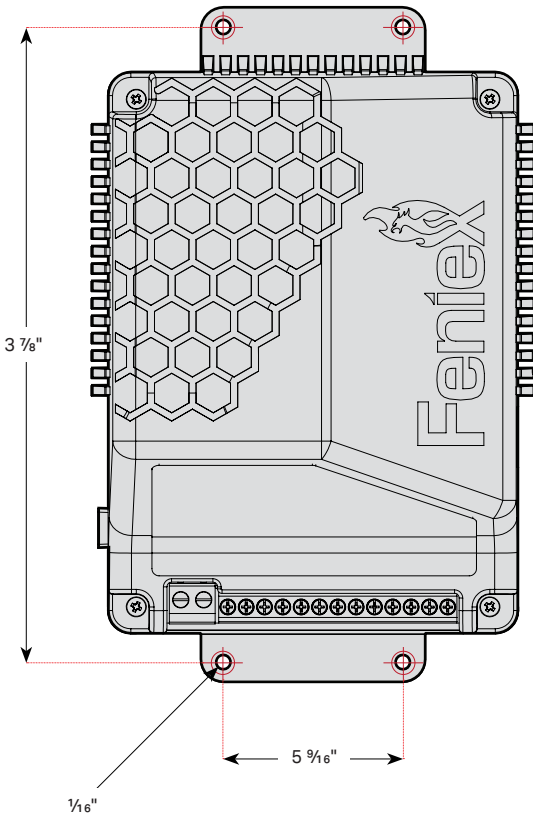
To disable a Output Button that is activating a siren tone keep cycling through tones until the siren turns off.



## ▲ MOUNTING INSTRUCTIONS

■ **Important Note:** The amp can not be mounted on the exterior of the vehicle. The amp must be in a dry location

- 1: Place the unit against the intended mounting surface.
- 2: Mark the areas where the mounting holes will be drilled. If the mounting surface is part of the vehicle, make sure no vital components could be damaged by the drilling process.
- 3: Pre-drill four 1/16" mounting holes on the mounting surface, making sure no vital components of the surface are damaged.
- 4: Make sure to deburr the holes thoroughly.

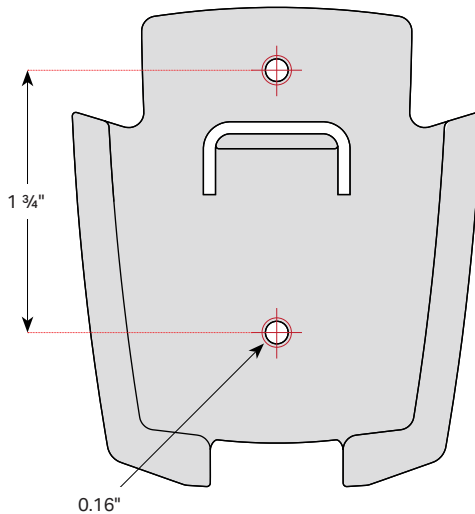




## ▲ MOUNTING INSTRUCTIONS CONTINUED

### Typhoon Handheld Mounting

- 1:** Place the Handheld nest against the intended mounting surface.
- 2:** Mark the areas where the mounting holes will be drilled. If the mounting surface is part of the vehicle, make sure no vital components could be damaged by the drilling process.
- 3:** Drill two 0.16" mounting holes on the mounting surface, making sure no vital components of the surface are damaged.
- 4:** Using customer provided screws, secure the Typhoon Siren to the mounting surface.



- 5:** Place the Typhoon Handheld Controller into the clip to hold the unit when not in use.



## MOUNTING INSTRUCTIONS

### ■ Mounting Swivel Bracket

- 1: Secure the Swivel Ball to the base of the controller using the #10-32 screw.
- 2: Attach the swivel ball to the swivel bracket base using the provided screw.
- 3: Using the provided screw, secure the two clamps loosely together.

4: Place the clamps and screw around the 2 swivel balls. Tighten the clamp screw, thereby attaching the swivel bracket base to the full function controller.

5: Secure the Swivel Bracket to the rear of the controller (as shown in the diagram).

6: Place the unit against the intended mounting surface.

7: Mark the areas where the mounting holes will be drilled. If the mounting surface is part of the vehicle, make sure no vital components could be damaged by the drilling process.

8: Drill two mounting holes on the mounting surface, making sure no vital components of the surface are damaged.

9: Using customer provided screws, secure the Full Function controller to the mounting surface.



### ■ Mounting L-Bracket

- 1: Utilizing the provided screws, secure the L-Brackets to each sides of the controller using a Phillips head screwdriver at a torque setting of 1 in\*lb.
- 2: Place the unit against the intended mounting surface and mark the areas where the mounting holes will be drilled. If the mounting surface is part of the vehicle, make sure no vital components could be damaged by the drilling process.

